

1960 LOGO



1965 logo

Lafayette

1965 logo



1978 LOGO

Lafayette

LAFAYETTE

WIRELESS BROADCAST AMPLIFER

ASSEMBLED LA 23 / KIT KT-195

COMPANY'S ADDRESS

1962

**Lafayette Radio Electronic Corporation.
111 Jericho Turnpike Syosset, N.Y. 11791
Formerly: Wholesale Radio Service Co. Inc.**

COMPILED BY JEFF MORRISON APRIL 14, 2015

TABLE OF CONTENT

PAGE

- 1) FLYER ADVERTISEMENT**
- 2) FRONT & TOP VIEW, LA 23 & KT-195**
- 3) BACK VIEW, KT-195**
- 4) BOTTOM VIEW, KT-195**
- 5) SCHEMATIC, ORIGINAL KT-195**
- 6) SCHEMATIC, MODIFICATION KT-195**
- 7) SCOPE READING RF CARRIER AT 940 KHZ & 85 % MODULATION BY 1 KHZ TONE**
- 8) SCOPE READING 85 % MODULATION BY MUSIC**

FLYER ADVERTISEMENT

23 2292 Volt Battery for Kit projects

LAFAYETTE WIRELESS BROADCAST/AMPLIFIER KIT

Treat yourself and your family to hours of fun with this Lafayette Kit. Make your own radio programs, announcements, etc., through AM radios anywhere in the house, without wires or extra gadgets. Designed for easy construction by youngsters or adults, it combines in one compact unit a powerful 3-tube wireless broadcaster and an audio amplifier. Clearly written instruction manual makes it a cinch to build. Operates on any frequency between 900 and 1600 kilocycles on your radio dial. It will accept any crystal or magnetic microphone. In addition, it may be used directly as a phono or microphone amplifier. No external preamp is required. Simple slide switch permits either form of operation. Just connect it to a PM speaker (4-16 ohms). Conforms to FCC regulations and is designed to provide high quality voice or record broadcasts.

No license or permit is necessary. Complete with crystal clear instruction manual. Less Mike. For 105-125V AC or DC. Attractively styled metal cabinet. Size 4Hx8Wx4 3/4"D. Shpg.

19 R 0903 Net 12.95

Same as above, but factory wired & tested

19 R 0908 Net 14.95

Crystal microphone for above, Desk or hand held. 5 ft. cable. Shpg. wt., 1 lb. imported.

99 R 4543 Net 1.95

12⁹⁵

Made in U.S.A.



Use it either as a

Wireless Broadcaster or AM Audio Amplifier!

- CLEAN, MODERN STYLING • POWERFUL SIGNAL
- WORKS WITH ALL CRYSTAL AND MAGNETIC MIKES AND PHONO CARTRIDGES
- PLAYS THROUGH ALL AM RADIOS

LAFAYETTE AUDIO EQUIPMENT



LAFAYETTE LIGHT SOURCE KIT

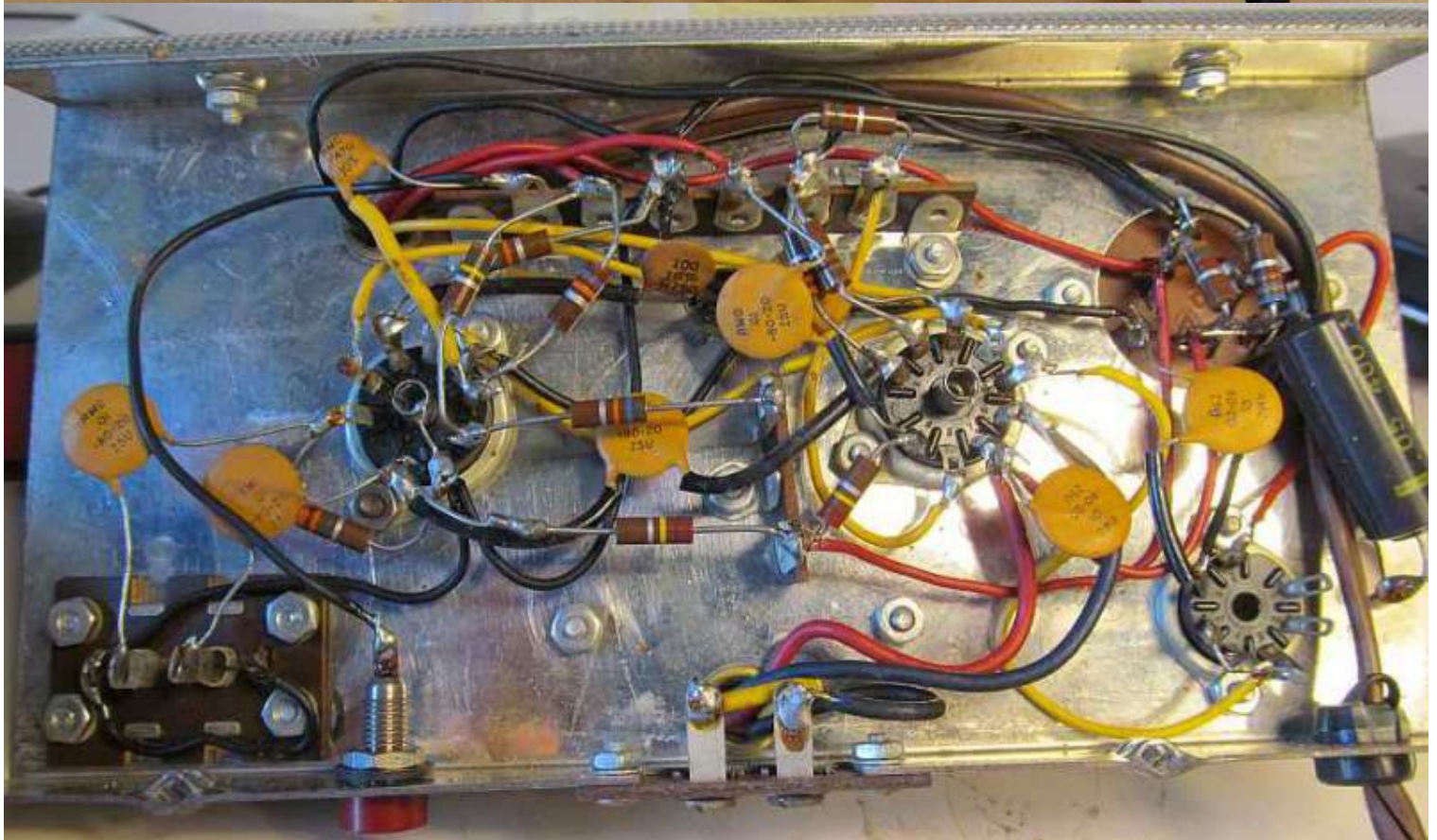
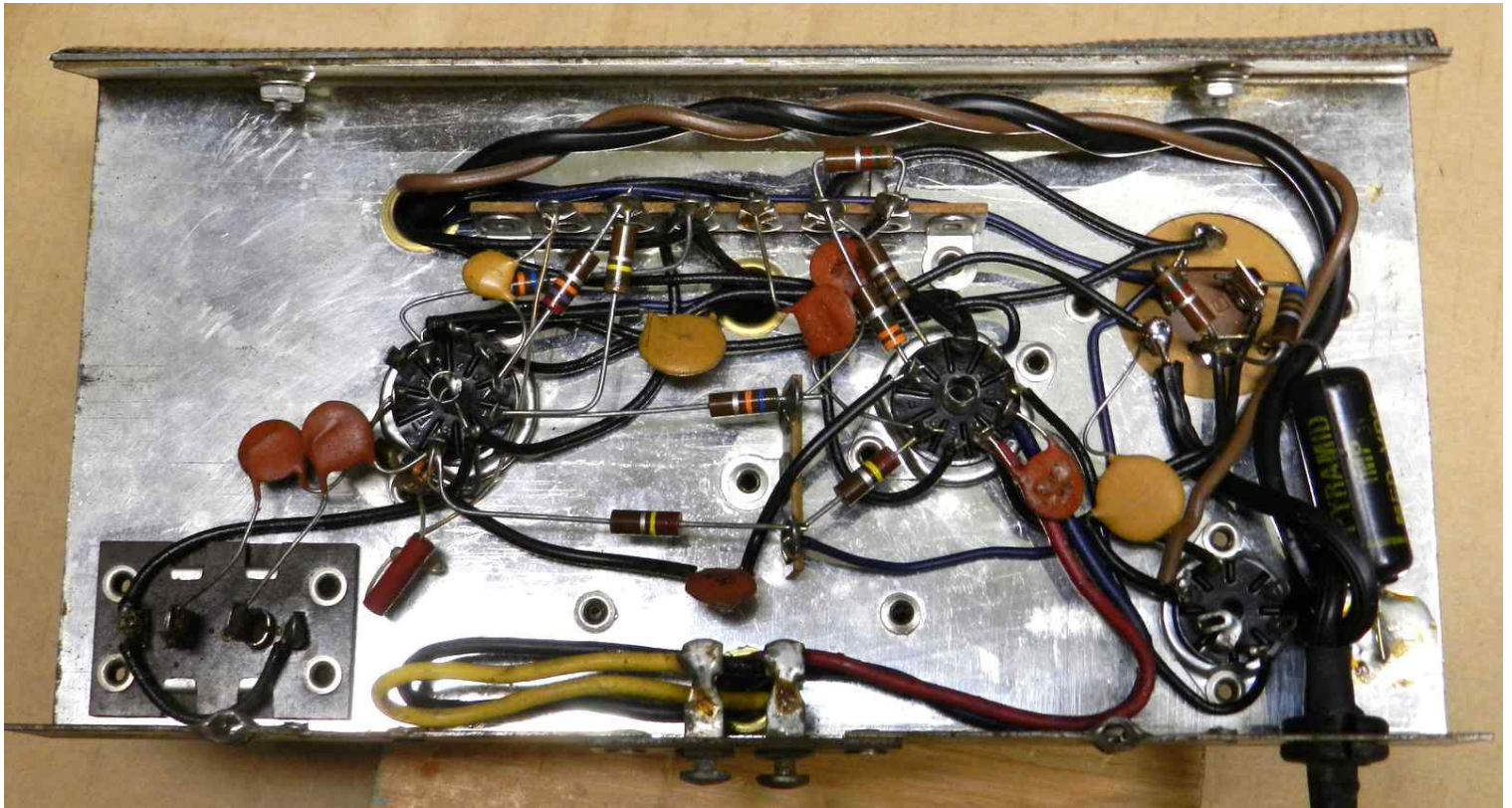
FRONT & TOP VIEW, LA 23 & KT-195



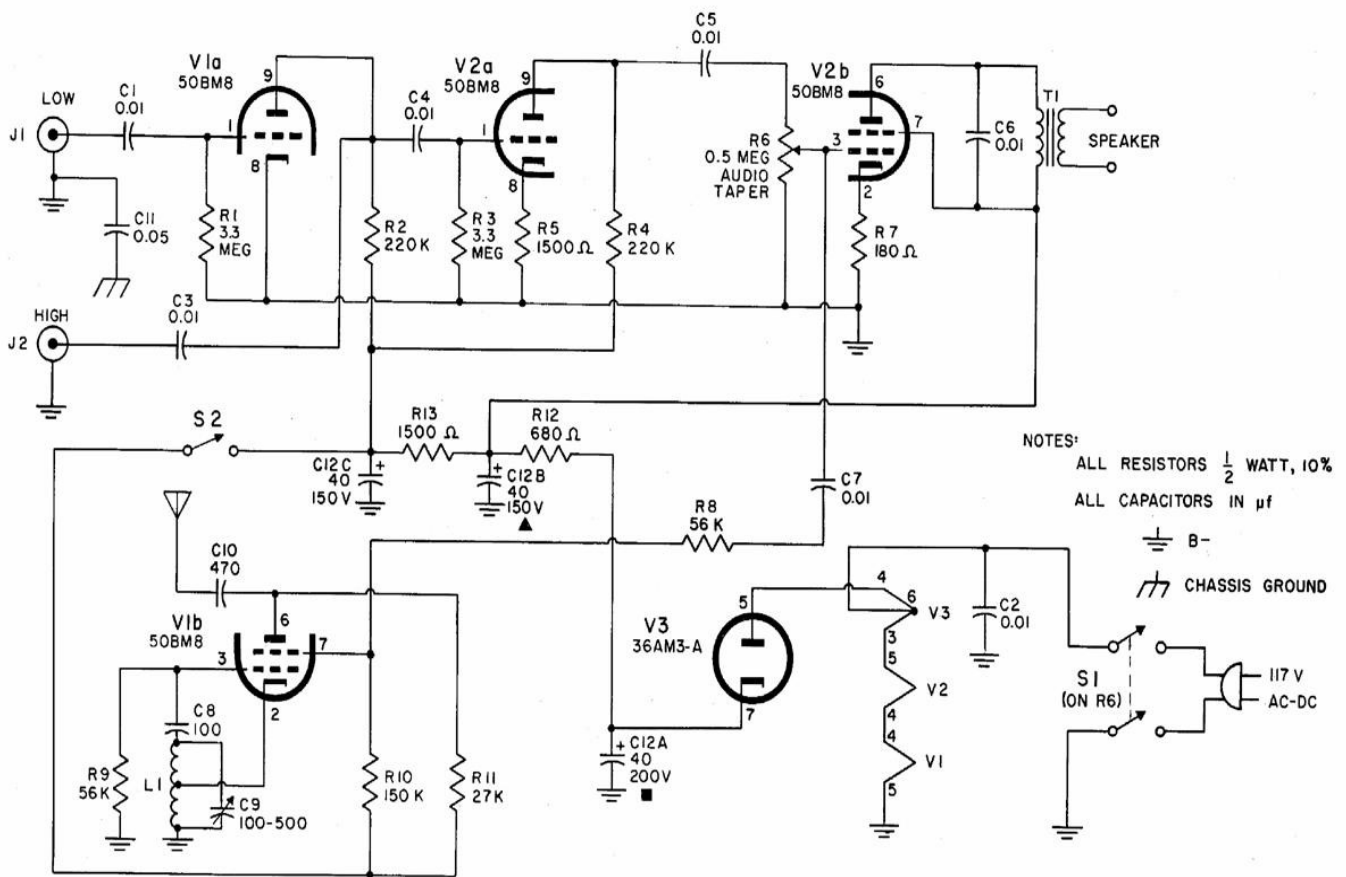
BACK VIEW, KT-195



BOTTOM VIEW, KT-195



SCHEMATIC, ORIGINAL KT-195



NOTES:
 ALL RESISTORS 1/2 WATT, 10%
 ALL CAPACITORS IN μf
 B-
 CHASSIS GROUND

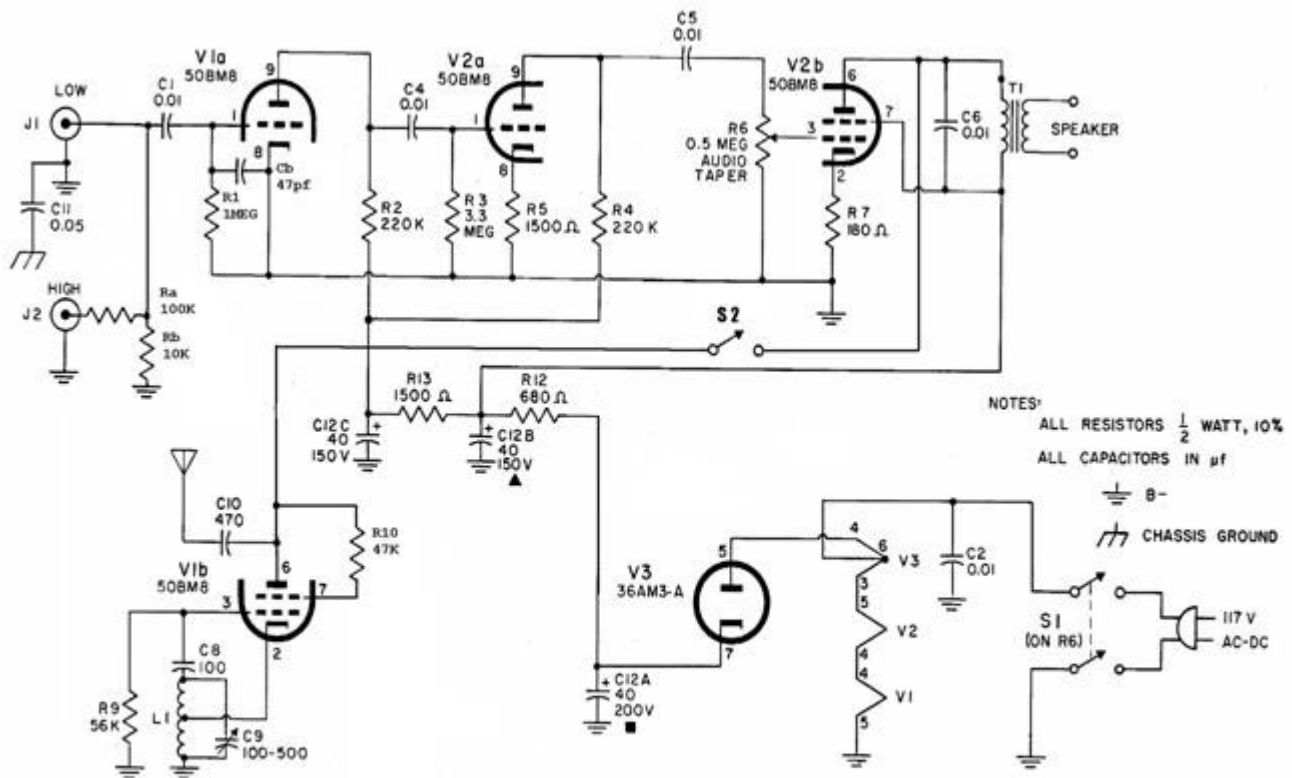
Lafayette KT-195 AM Broadcaster/Amplifier

SCHEMATIC DIAGRAM

SCHEMATIC, MODIFICATION KT-195

UPDATED FEBRUARY 2, 2012

MODIFIED FOR PLATE MODULATION



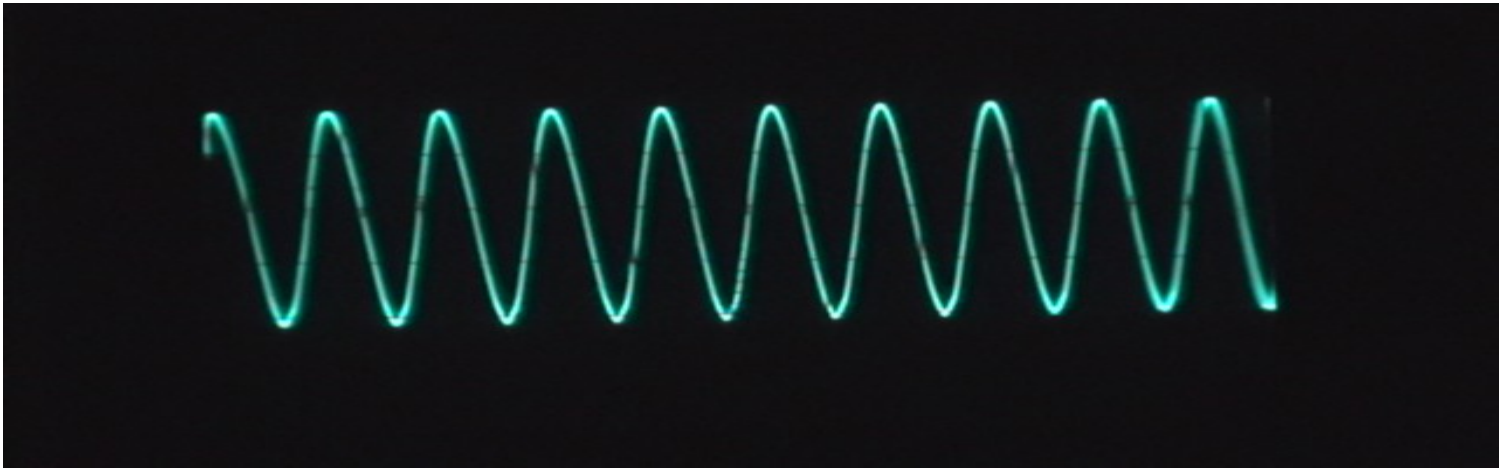
Lafayette KT-195 AM Broadcaster/Amplifier

SCHEMATIC DIAGRAM

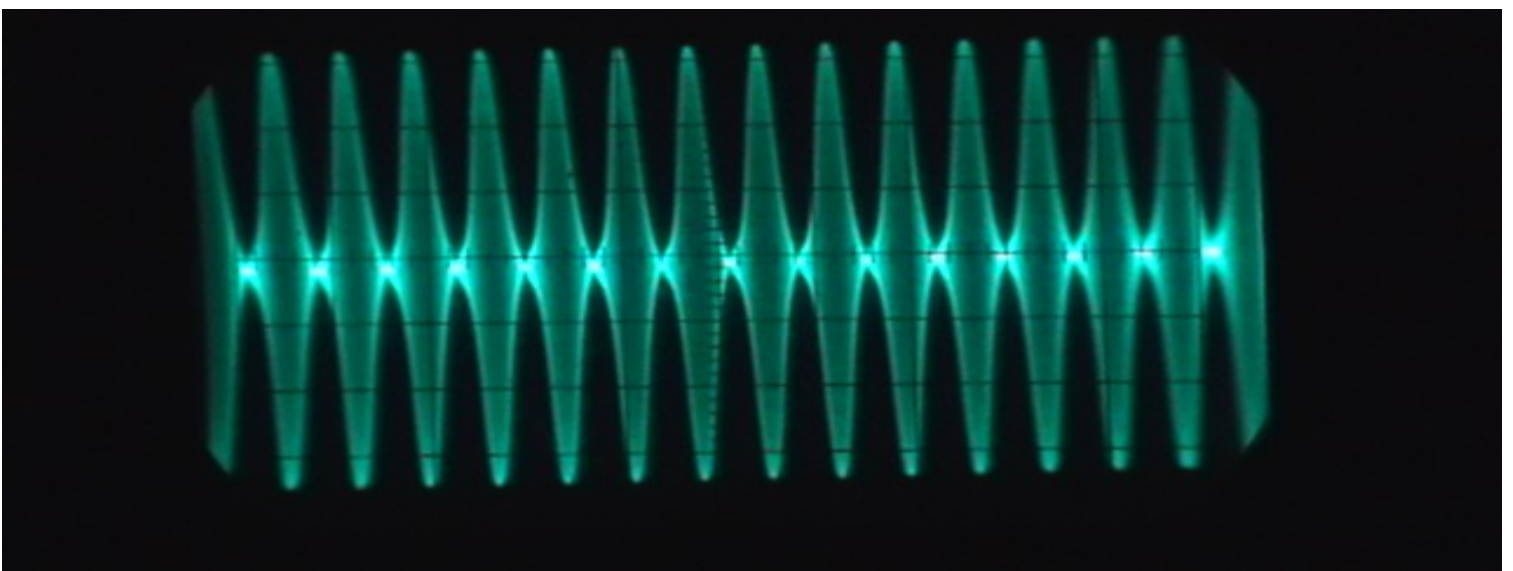
MODIFICATION CHANGES

- 1) INPUT CHANGED (BY J2 AREA)
- 2) CB ADDED (BY V1A AREA)
- 3) S2 REWIRED (S2 SWITCH)
- 4) R8-R11 & C7 REMOVED & R10 CHANGED AND MOVED (BY V1B AREA)

RF CARRIER AT 940 KHZ



ABOUT 85 % MODULATION BY 1KHZ TONE



ABOUT 85 % MODULATION BY MUSIC

